

14. N₂ Gas Port Gauging & Control Valve

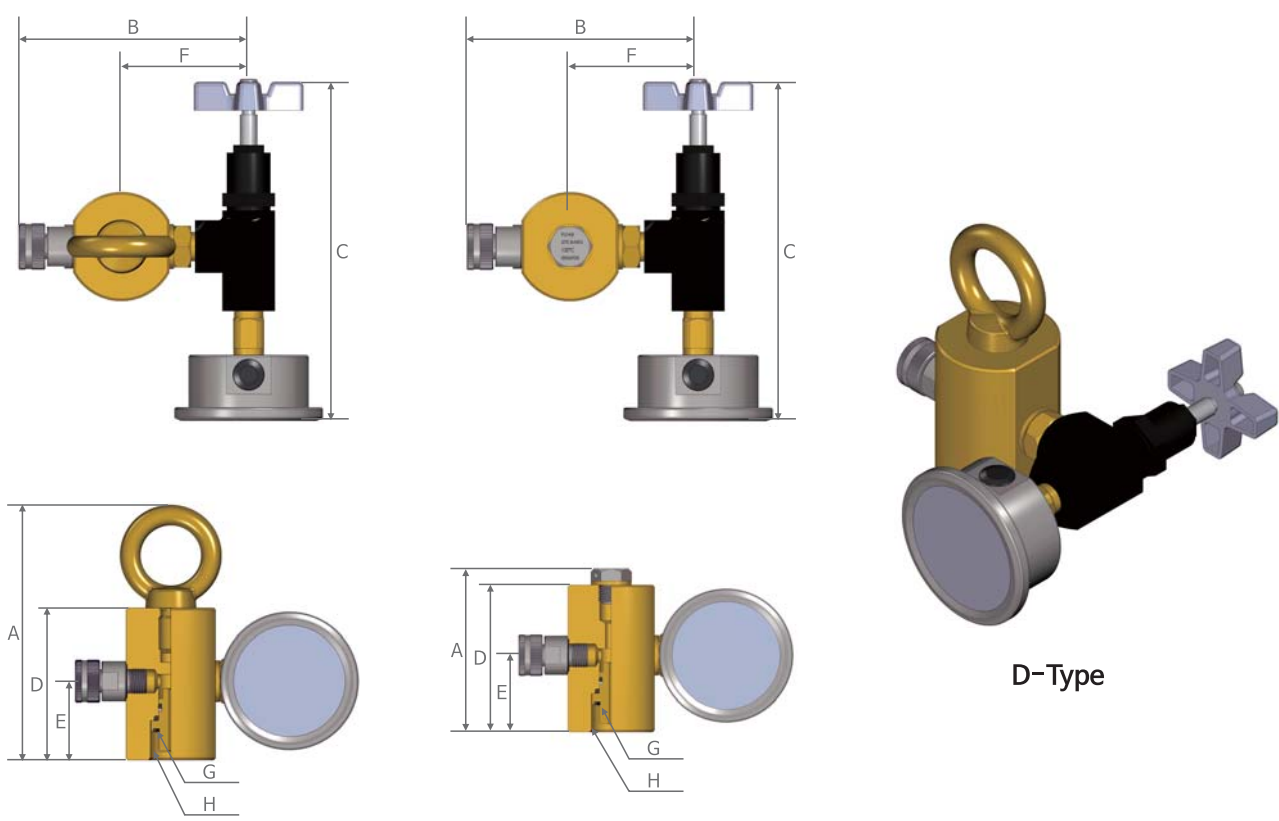
1 CPG (Charging & Permanent Gauge) Series

CPG
-
I
-
250
-
D

01 Type (Series)	02 Safety Valve	03 Pressure Gauge	04 Gauge Type
CPG	Bank Without Eyebolt I With Eyebolt B Pressure Burst Disc	250 250bar(Standard)	D Horizontal Type (Standard) A Vertical Type

CPGI-Type
(With Eyebolt)

CPGB-Type
(With Pressure Burst Disc)



Code	Model No	kg	Dimension (mm)							
			A	B	C	D	E	F	G	H
CPG01	CPG-250-D	1.82	75	109	148	75	39	60	1/2-20UNF	7/8-14UNF
CPG02	CPGI-250-D	1.94	126	109	148	75	39	60	1/2-20UNF	7/8-14UNF
CPG03	CPGB-250-D	1.84	83	109	148	75	39	60	1/2-20UNF	7/8-14UNF