

13. N₂ Gas Charging Kit

1 Universal Type

1 Ordering Code for N₂ Charging Kit

FCU	-	250	-	1	-	1	-	1	-	R	-	K
01		02		03		04		05		06		07

01 Type (Series)

FCU Charging Kit

*Refer to page 57.

02 Gauge Pressure

25	25bar
250	250bar
25/250	25/250bar

03 Charging Adapter

1	G1/4
2	5/8-18UNF
3	5/16-24UNF
4	7/8-14UNF (Short)
5	7/8-14UNF (Long)
6	1번+2번+3번+4번+5번 일체형
7	1번+2번+3번 일체형
8	2번+3번 일체형

04 Hose

0	None
1	2.8m(Standard), 200bar
2	2.8m, 400bar

05 Charging Case

1	With Charging Box Set (Type A)
2	With Charging Box Set (Type P)

06 Regulator

O	None
R	Regulator

07 N₂ Bottle Valve

K Korea Standard

*FCU Charging kit is a universal type that covers most types of accumulators for N₂ gas charging.

1-1 FCU consists of

FCU charging kit has a variety of adapters available to cover all the different connections of accumulators.

- Charging Unit Body
- Gas valve
- Pressure gauge 25 bar
- Pressure gauge 250 bar
- High Pressure Hose (2.8M, 200bar)
- Charging Adapter
- Spare parts (sealing)
- Regulator

※. Pressure ranges and length of charging hose are available as per requirements.



A Type-Aluminum Case



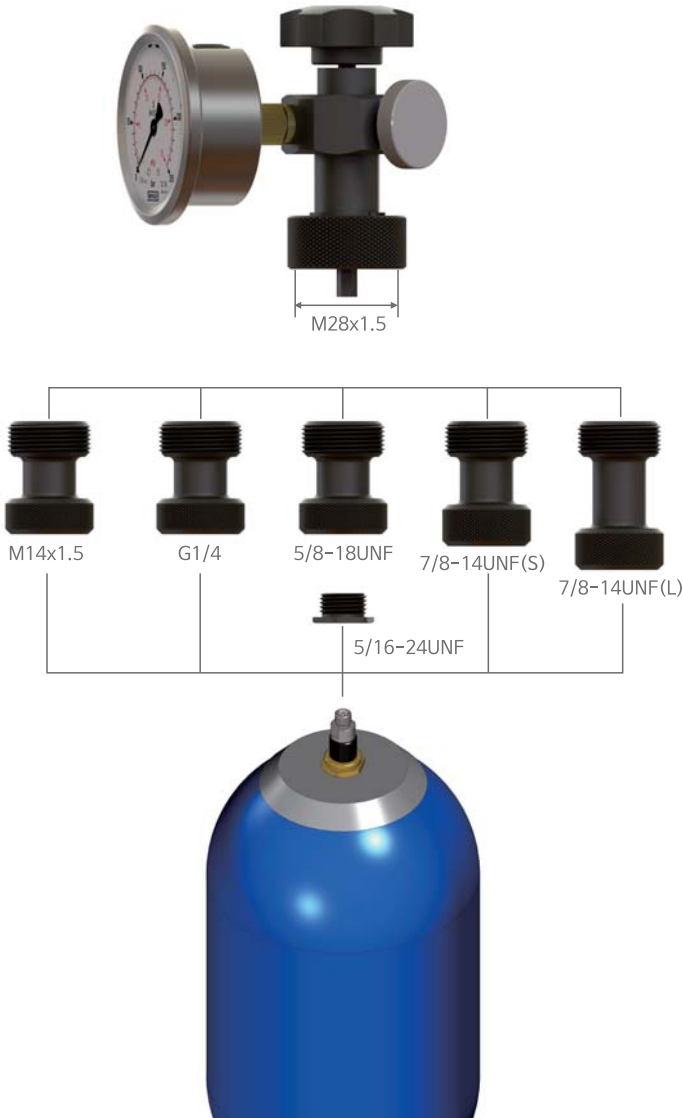
P Type-Plastic Case



13. N₂ Gas Charging Kit

1 Universal Type

2 Detailed outline drawing



Charging Adapter

Code	규격
2E114-101-00	G1/4
2E114-103-00	5/8-18UNF
2E114-104-00	7/8-14UNF(S)
2E114-105-00	7/8-14UNF(L)
2E114-106-00	5/16-24UNF
2E114-107-00	M14x1.5

Size	Applicable brand
G1/4	FLOWFORCE, SGPT
7/8-14UNF	OLAER
5/8-18 UNF	EPE, NOK, OLAER
5/16-24 UNF	Nakamura, Greer, Bosch

Charging Hose

(200 bar, 2.8M) Connecting to N₂ Bottle Valve



Code	Size
CH028	W22-14

13. N₂ Gas Charging Kit

2 Standard Type

1 Ordering Code for N2 Charging Kit

BCG - **250** - **1** - **1** - **1** - **R** - **K**
01 02 03 04 05 06 07

01 Type (Series)

BCG Charging Kit(Use only Bladder Type.)

02 Gauge Pressure

25 25bar
250 250bar
25/250 25/250bar

03 Charging Adapter Connection

1 5/8-18UNF
2 7/8-14UNF(Short)
3 5/16-24UNF
4 1+2+3

04 Hose

0 None
1 STD. 2.8m(200bar)
2 2.8m, 400bar

05 Charging Case

1 None
2 With Charging Box Set(Type A)
3 With Charging Box Set(Type P)

06 Regulator

0 None
R Regulator

07 N2 Bottle Valve

K Korea Standard

*BCG Charging kit is only for the bladder type accumulators.

1-1 Main parts of BCG Charging kit

BCG charging kit has a variety of adapters available to cover all the different connections of accumulators.

- Charging Unit Body
- Gas valve
- Pressure gauge 25 bar
- Pressure gauge 250 bar
- High Pressure Hose(2.8M, 200bar)
- Charging Adapter
- Spare parts(sealing)
- Regulator



A Type-Aluminum Case



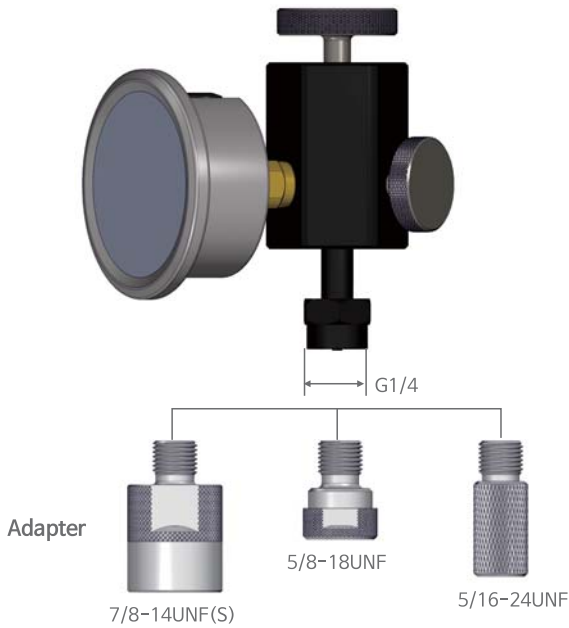
P Type-Plastic Case



13. N₂ Gas Charging Kit

2 Standard Type

2 Detailed outline drawing



Charging Adapter

Code	Size
1E114-103-00	5/8-18UNF
1E114-104-00	7/8-14UNF
1E114-106-00	5/16-24UNF

Size	Applicable Brand
7/8-14UNF	OLAER, Hyundai Olaer
5/8-18 UNF	EPE, NOK, OLAER, Hyundai olaer
5/16-24 UNF	Nakamura, Greer, Bosch, Hydac

Charging Hose

(200 bar, 2.8M) Connecting to N₂ Bottle Valve



Code	Size
CH028	W22-14

14. N₂ Gas Port Gauging & Control Valve

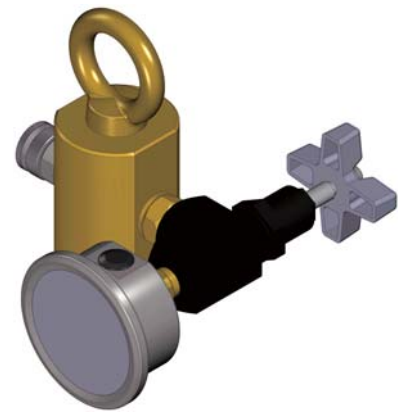
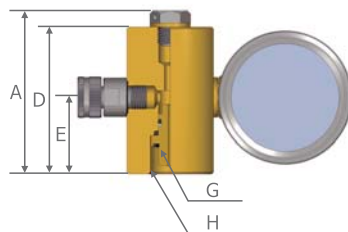
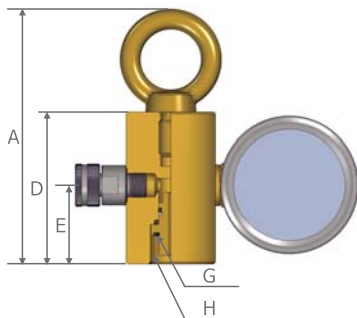
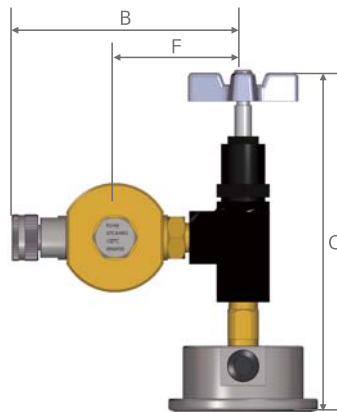
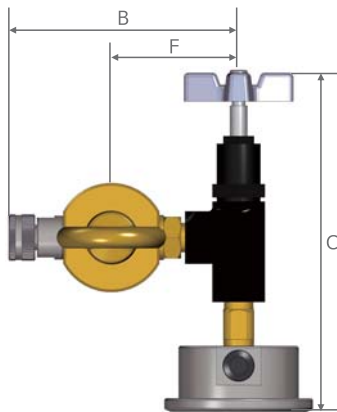
1 CPG (Charging & Permanent Gauge) Series

CPG - **I** - **250** - **D**
01 02 03 04

01 Type (Series)	02 Safety Valve	03 Pressure Gauge	04 Gauge Type
CPG	<u>Bank</u> Without Eyebolt <u>I</u> With Eyebolt <u>B</u> Pressure Burst Disc	<u>250</u> 250bar(Standard)	<u>D</u> Horizontal Type (Standard) <u>A</u> Vertical Type

CPGI-Type
(With Eyebolt)

CPGB-Type
(With Pressure Burst Disc)



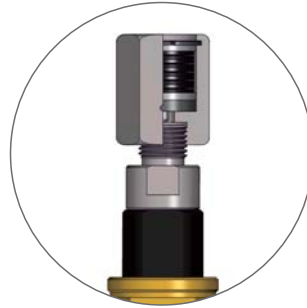
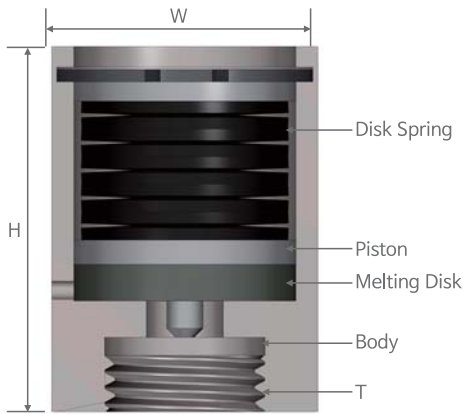
D-Type

Code	Model No	kg	Dimension (mm)							
			A	B	C	D	E	F	G	H
CPG01	CPG-250-D	1.82	75	109	148	75	39	60	1/2-20UNF	7/8-14UNF
CPG02	CPGI-250-D	1.94	126	109	148	75	39	60	1/2-20UNF	7/8-14UNF
CPG03	CPGB-250-D	1.84	83	109	148	75	39	60	1/2-20UNF	7/8-14UNF



14. N₂ Gas Port Gauging & Control Valve

2 TR Cap (Fusible-plug Safety Valve)



Before

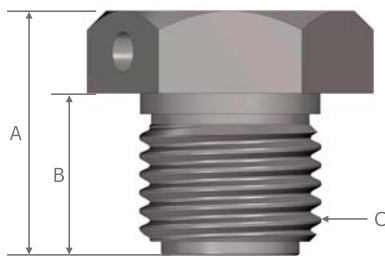
After
(Press the valve stem and released the seal)



Code	Working temperature	Dimension (mm)		
		W	H	T
TRC1-150	150°C	22	30	5/8-18UNF
TRC2-150	150°C	22	30	1/4 BSP

※ Please ensure the code when placing TR Cap separately.

3 Pressure Burst Disc



Code	Working temperature	Dimension (mm)		
		A	B	C
PBD-270	270bar/120°C	17.7	11.7	1/4 BSP

※ Pressure / Temperature : 270bar / 120°C

※ Please ensure the code when placing Pressure Burst Disc separately.